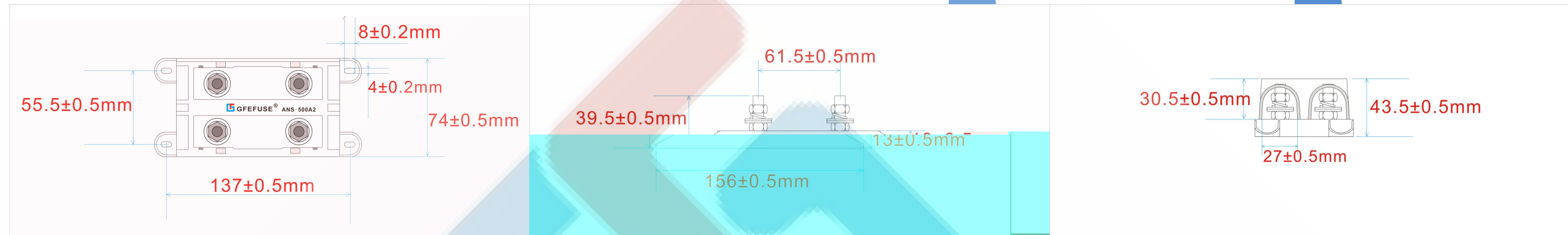


(TM)

()



1. Product model: ANS™-500A2 automobile fuse box (one in two out automobile fuse box)

2. Suitable for GFEFUSE® ANL-A™ series fork bolt automobile fuse

3. Base: PBT+GF (UL-94v0)

4. Top cover: PC

5. Fasteners: class 8.8 high strength screws (screws)

6. IATF 16949:2016 quality management system

7. Electrical performance:

Current: 30A-500A(DC)

Voltage: 12V-125V (DC)

8. This product is applicable to: car battery, assembly, new energy, car modification, rv, heavy truck, car wiring harness, high-power power supply

Note: No change in product size is notified