

Dongguan GongFu Electronic Co. Ltd. GFEFUSE Focus on safety fuse holder

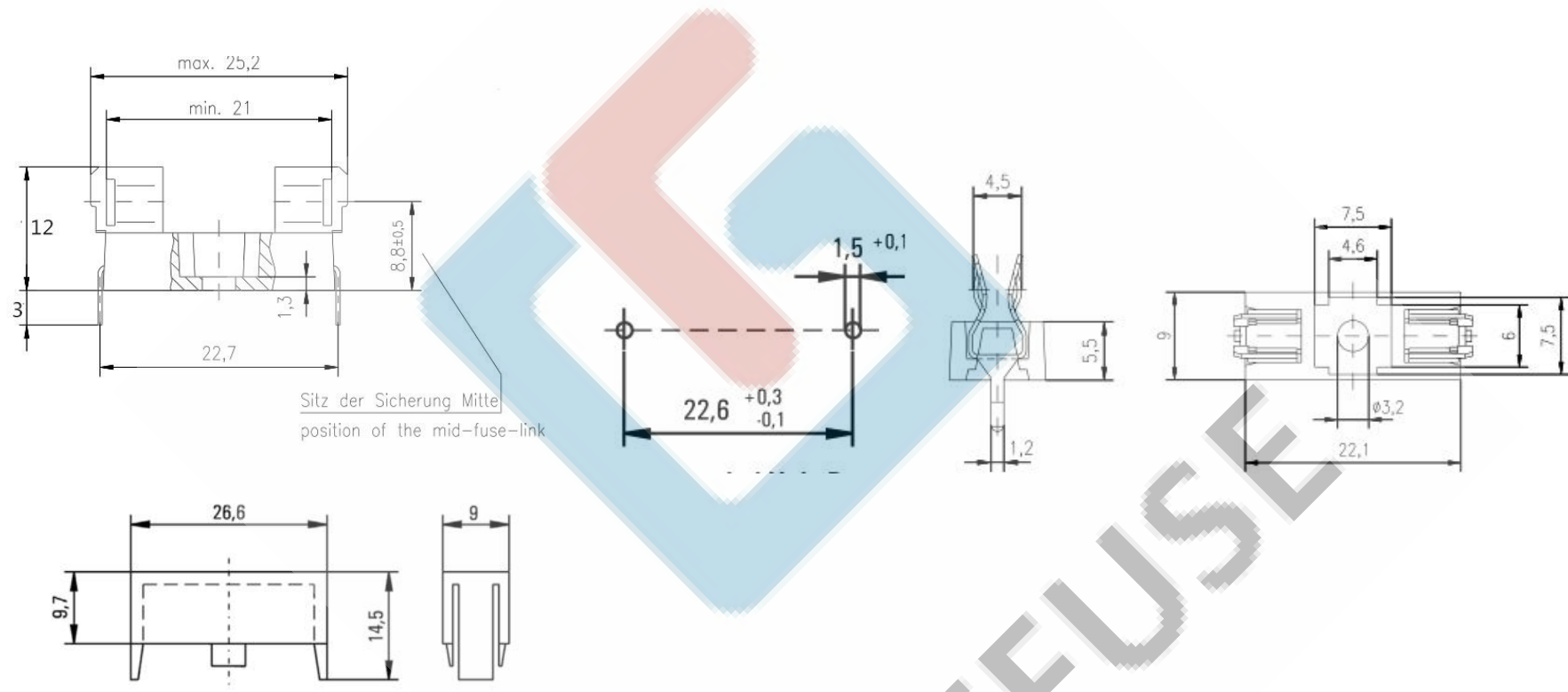
TEL:0769-82391938

81100206

FAX:0769-82391939

<http://www.gfefuse.com>

A:Mec a ca d a f d c



IATF 16949:2016 Quality System Certification Enterprise

UL CE CQC TUV REACH ROHS Product international quality safety certification

Dongguan GongFu Electronic Co. Ltd. GFEFUSE Focus on safety fuse holder

TEL:0769-82391938

81100206

FAX:0769-82391939

http://www.gfefuse.com

B:De a ed de c f e d c

- 1.Product model: PTF/15/15S/10(GFEFUSE)**
- 2.rated current: 10A/6.3A 1.6w**
- 3.rated voltage: 250V(AC)UL CUL TUV CE CQC
(1000VDC)UL CUL**
- 4. split current: 50A**
- 5. Fuse size: 5.2x20mm**
- 6.Base: Black PA66 (UL-94V0)
Protective cover: transparent PC(UL-94V2)**
- 7.terminal: 0.4mm (phosphor)**
- 8.withstand voltage: 3000VAC**
- 9.contact resistance:**
- 10.insulation resistance: >100MΩ**
- 11.Product safety certification:TUV CE CQC UL CUL**

C:Packaging requirements

A: pedestal 500PCS/ bag

B: transparent protection cover 500PCS/ bag

C:5000pcs/ box

Note: Product changes are not notified

IATF 16949:2016Quality System Certification Enterprise

UL CE CQC TUV REACH ROHS Product international quality safety certification